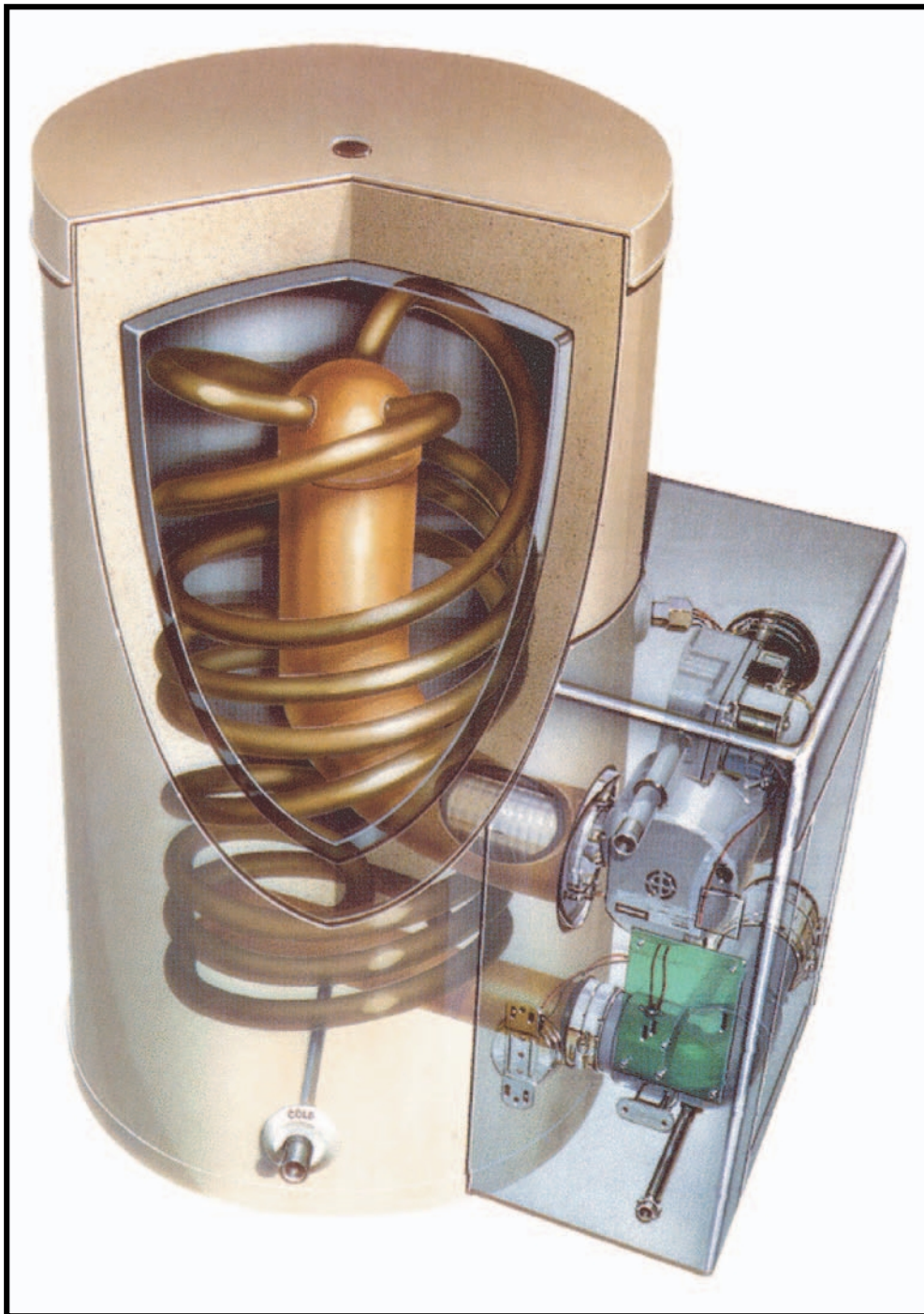


SUPER-EFFICIENCY

With Spark Ignition



**HIGH
EFFICIENCY**

95%

**You Can Save
Thousands of
Dollars on
Fuel Annually**

- Spark Ignition
- No Boiler Room
- Zero Clearance
- Sealed Combustion
- Side Wall Venting
- Easy Installation
- Stainless Steel Tank



NATIONAL COMBUSTION CO., INC.

104-11 180th ST., JAMAICA, NY 11433

Ph: 718-291-8400 Fx: 718-291-6870 www.nationalcombustion.com

NATCO

FEATURES

- Newly designed with spark ignition—*no more hot-surface igniters.*
- 95% Efficiency dramatically reduces fuel costs.
- Zero clearance to any combustible surface, may be installed in any closet.
- Corrosion resistance, high efficiency 90/10 cupro-nickel heat exchanger with stainless steel head.
- Sealed combustion: No chimney or large fresh air openings required. Direct vent with PVC pipe.
- Easy to install, operate, and service.
- Multiple heater installations for increased capacity.
- Low-NOx emissions.
- Well insulated: less than 1/2° per hour standby loss
- Self diagnostic control with digital readout.
- Temperature range from 70°F to 160°F.
- 1-1/2" water connections.
- On the market for over 20 years.

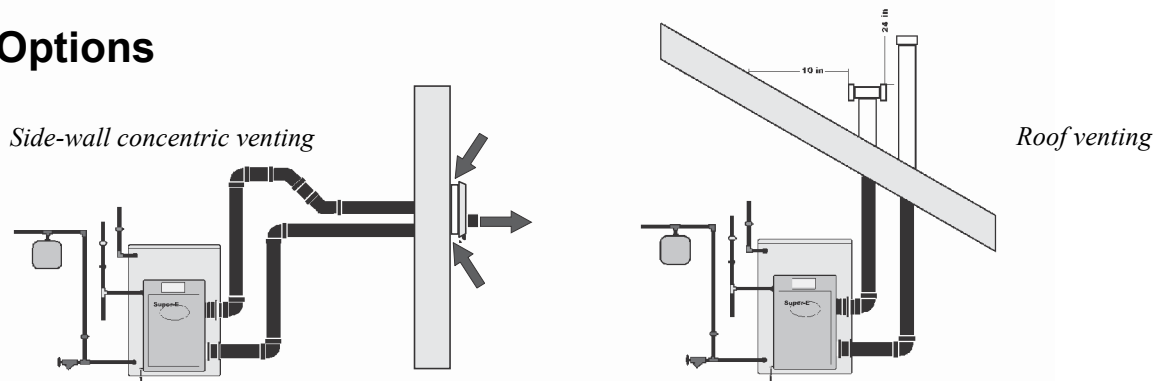
Dimensional Data

| Package Number | BTU Input | Storage Gallons | Height Inches | Width Inches | Depth Inches | Vent Inches | Weight Lbs. |
|----------------|-----------|-----------------|---------------|--------------------------|--------------|-------------|-------------|
| SE-199-80 | 199,000 | 80 | 72 | 23.5 | 32 | 3 | 235 |
| SE-199-119 | 199,000 | 119 | 73 | 27 | 36 | 3 | 405 |
| SE2-398-160 | 398,000 | 160 | 72 | 2 of the above SE199-80 | | | 470 |
| SE2-398-238 | 398,000 | 238 | 73 | 2 of the above SE199-119 | | | 810 |

Recovery Ratings

| Package Number | | Temperature Rise | | | | | | |
|----------------|--------------|------------------|-------|-------|-------|-------|--------|--------|
| | | 40° F | 60° F | 70° F | 80° F | 90° F | 100° F | 120° F |
| SE-199-80 | GPM | 9.45 | 6.3 | 5.4 | 4.73 | 4.2 | 3.78 | 3.15 |
| | GPH | 567 | 378 | 324 | 284 | 252 | 227 | 189 |
| | Gal. 1st Hr. | 647 | 458 | 404 | 364 | 332 | 307 | 269 |
| SE-199-119 | GPM | 9.45 | 6.3 | 5.4 | 4.73 | 4.2 | 3.78 | 3.15 |
| | GPH | 567 | 378 | 324 | 284 | 252 | 227 | 189 |
| | Gal. 1st Hr. | 686 | 497 | 443 | 403 | 371 | 346 | 308 |
| SE2-398-160 | GPM | 18.9 | 12.6 | 10.8 | 9.46 | 8.4 | 7.56 | 6.3 |
| | GPH | 1134 | 756 | 648 | 568 | 504 | 454 | 378 |
| | Gal. 1st Hr. | 1294 | 916 | 808 | 728 | 664 | 614 | 538 |
| SE2-398-238 | GPM | 18.9 | 12.6 | 10.8 | 9.46 | 8.4 | 7.56 | 6.3 |
| | GPH | 1134 | 756 | 648 | 568 | 504 | 454 | 378 |
| | Gal. 1st Hr. | 1372 | 994 | 886 | 806 | 742 | 692 | 616 |

Venting Options



NATIONAL COMBUSTION CO., INC.
 104-11 180th ST., JAMAICA, NY 11433
www.nationalcombustion.com

NATCO
 1-888-OK-NATCO
sales@nationalcombustion.com